

## Super-Luminescent Light Emitting Diode (SLD)

### TO CAN Packaged Devices



### Features

- High power and broad band
- Low coherence length
- Uncooled & Cooled TO package
- Monitor PD is an option

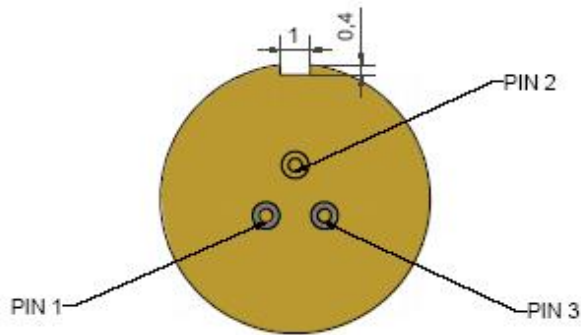
### Applications

- Medical diagnostic systems
- Optical Fiber sensor systems
- Illumination

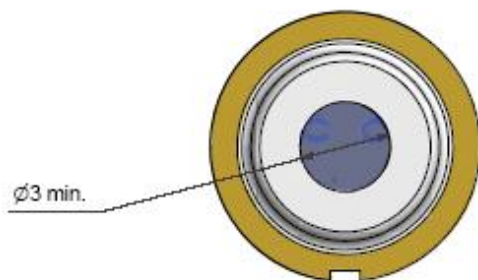
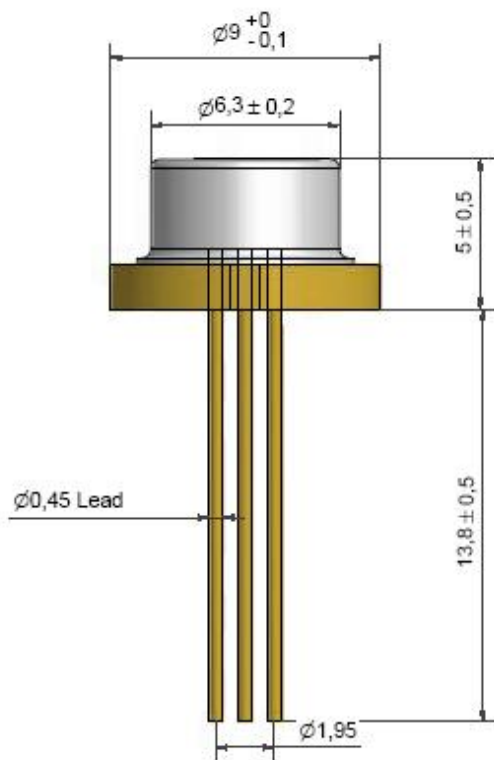
### IPSDT0805 SLD TO CAN Specifications (T<sub>case</sub>=25°C)

Parameter	Min.	Typ.	Max.	Unit	Test Condition
Central Wavelength	820	830	850	nm	
3 dB Bandwidth	38	40	-	nm	
Output Power	4	10	-	mW	Flat Window Output
Operating Current	-	150	200	mA	
Forward Voltage	-	-	-	V	
Spectral Ripple	-	0.1	0.5	dB	
Beam Spread Angle:	-	-	-		
- Parallel	-	10	25	degree	
- Vertical	-	38	45	degree	

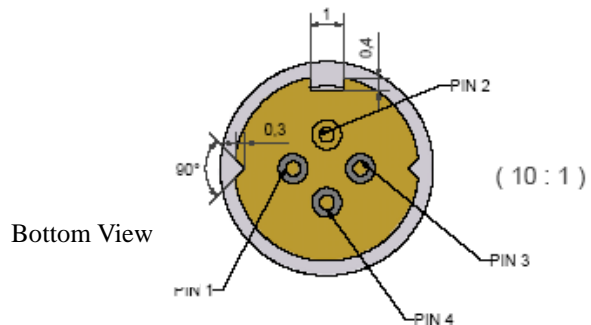
Detailed Information about operation/storage temperature available upon request: Contact [sales@inphenix.com](mailto:sales@inphenix.com) for more details



Pin#	Connection
1	SLD Anode
2	SLD Cathode, PD Cathode and Case
3	PD Anode

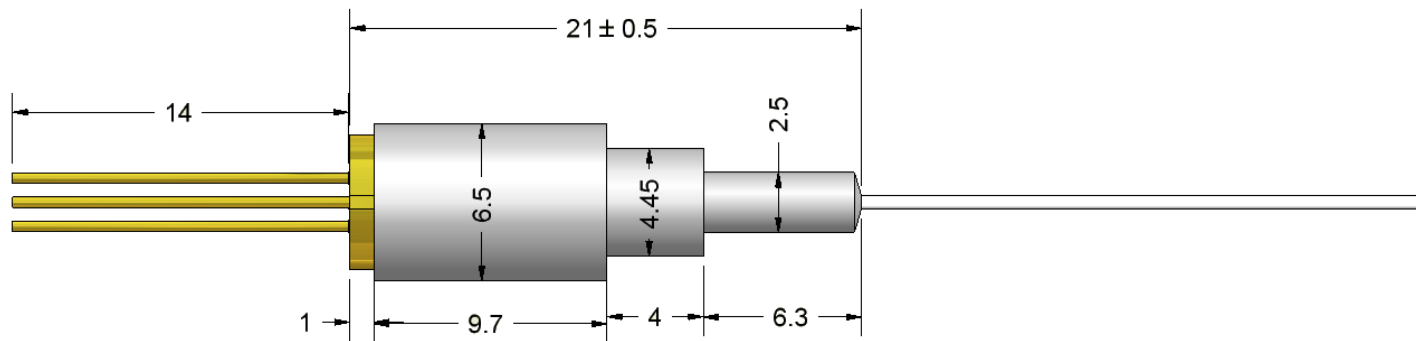


**$\varnothing 9$  mm TO-CAN (TO5/TO9/TO39)**



Pin#	Connection
1	PD Anode
2	SLD Cathode, PD Cathode and Case
3	SLD Anode
4	

Pigtail Information	
Connector	TBD
Fiber	SMF
Fiber Length	0.5 m



Unit: mm

## φ5.6 mm Pigtailed Coaxial Device (TO56 Header)

## Part Numbering System



**Model-**

- IPSDT0701: 750nm SLD TO CAN
- IPSDT080X: 820nm SLD TO CAN
- IPSDT090X: 900nm SLD TO CAN
- IPSDT13XX: 1310nm SLD TO CAN
- IPSDT150X: 1550nm SLD TO CAN

**Package-**

- 7: TO 56
- 8: TO 8
- 9: TO 9

**Fiber Type:**

- 0: No Cap    1: Single Mode    5: Ball Lens
- 6: Flat Glass    7: Aspheric Lens

**Jacket Type:**

- 0: No Jacket
- 1: 900  $\mu$ m
- 2: 250  $\mu$ m tight buffer

**Connector Type:**

- 0: No Connectors
- 3: FC/APC
- 4: FC/UPC
- 7: SC/APC
- 8: SC/UPC

**Back Facet Monitor:**

Available upon request

**Example:** IPSDT0801-9700: 820nm SLD, TO9 package with Aspheric lens.

**Corporate Office**

250 North Mines Rd  
Livermore, CA 94551  
Tel: 925.606.8809  
Fax: 925.606.8810  
[www.inphenix.com](http://www.inphenix.com)  
[sales@inphenix.com](mailto:sales@inphenix.com)